

Dominator[®] IV

Mechanics Body



► Dominator IV Mechanics Body

With enhanced strength and stability for higher crane loads, numerous configuration possibilities, and a body rating of 95,000 ft-lb (13.3 tm), the Dominator IV mechanics truck offers exceptional performance in virtually any industry. With the Dominator IV mechanics truck, you don't have to bring your equipment into the shop for service, because the shop comes to you.



Standard Features

- Body rating — 95,000 ft-lb (13.3 tm)
- Enhanced strength and stability for higher crane loads
- Multiplex electrical system with programmable logic

Options

- High-intensity light package
- Drawers and drawer sets
- Standard adjustable shelves
- 3"H (7.6 cm) divided adjustable shelves
- Stabilizers — manual and hydraulic
- Patent-pending energy-absorbing boom support
- Workbench vises and vise plates
- Incandescent work lights and compartment lights
- Compartment pressurization system
- Air systems

Compatible Cranes

12000 14000



Multiplex Electrical System

Programmable logic allows for increased electrical control capabilities while reducing the amount of wire used.



Energy Absorbing Boom Support

Patent-pending support dissipates energy created from the crane boom, relieving pressure that would be transmitted to the sidepack top.



High-Intensity Lighting (optional)

LED light bars provide superior light penetration for enhanced visibility in the compartments.

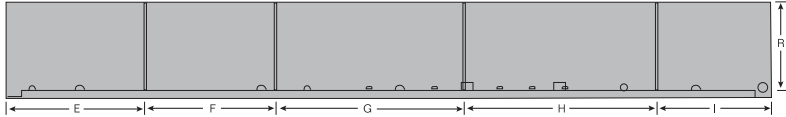
Base Body Specifications

Base Body	Body Weight	Storage Capacity	Angle of Departure	Chassis CA/CT w/o Welder Deck	Chassis CA/CT w/Welder Deck
14' RF Raised	5758 lb (2611.8 kg)	203.8 cu ft (5.8 m ³)	14° (0.24 rad)	120" CA (304.8 cm)	144" – 156" CA (365.8 – 396.2 cm)
14' RF & LF Raised	5827 lb (2643.1 kg)	211.6 cu ft (6 m ³)	14° (0.24 rad)	120" CA (304.8 cm)	144" – 156" CA (365.8 – 396.2 cm)
14' RF & LH Raised	5873 lb (2664 kg)	219.6 cu ft (6.2 m ³)	14° (0.24 rad)	120" CA (304.8 cm)	144" – 156" CA (365.8 – 396.2 cm)
14' All Raised	5907 lb (2679.3 kg)	225.4 cu ft (6.4 m ³)	14° (0.24 rad)	120" CA (304.8 cm)	144" – 156" CA (365.8 – 396.2 cm)
19' RF & LH Raised	7343 lb (3330.7 kg)	268.7 cu ft (7.6 m ³)	14° (0.24 rad)	150" CT (381 cm)	174" – 186" CA (442 – 472.4 cm)
19' All Raised	7279 lb (3301.7 kg)	281.1 cu ft (8 m ³)	14° (0.24 rad)	150" CT (381 cm)	174" – 186" CA (442 – 472.4 cm)

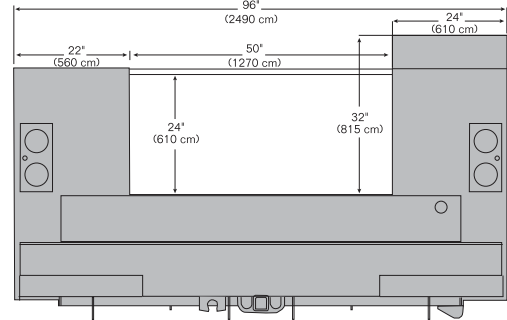
Left Hand Sidepack

Base Body	Compartment Dimensions								Door Opening Dimensions								Usable Depth	
	A	B	C	D	E	F	G	H	I	J	K	L	M	N	O	P		Q
14' RF	52"	52"	23.88"	52"	41.93"	38.38"	52.38"		32.75"	46.75"	21.5"	46.75"	34.75"	36.75"	46.88"		24.38"	20.25"
Raised	(132.1 cm)	(132.1 cm)	(60.7 cm)	(132.1 cm)	(106.5 cm)	(97.5 cm)	(133 cm)		(83.2 cm)	(118.7 cm)	(54.6 cm)	(118.7 cm)	(88.3 cm)	(93.3 cm)	(119.1 cm)		(61.9 cm)	(51.4 cm)
14' RF & LF Raised	60"	60"	23.88"	52"	41.93"	38.38"	52.38"		32.75"	54.75"	21.5"	46.75"	34.75"	36.75"	46.88"		24.38"	20.25"
	(152.4 cm)	(152.4 cm)	(60.7 cm)	(132.1 cm)	(106.5 cm)	(97.5 cm)	(133 cm)		(83.2 cm)	(139.1 cm)	(54.6 cm)	(118.7 cm)	(88.3 cm)	(93.3 cm)	(119.1 cm)		(61.9 cm)	(51.4 cm)
14' RF & LH Raised	60"	60"	31.88"	60"	41.93"	38.38"	52.38"		32.75"	54.75"	29.5"	54.75"	34.75"	36.75"	46.88"		24.38"	20.25"
	(152.4 cm)	(152.4 cm)	(81 cm)	(152.4 cm)	(106.5 cm)	(97.5 cm)	(133 cm)		(83.2 cm)	(139.1 cm)	(74.9 cm)	(139.1 cm)	(88.3 cm)	(93.3 cm)	(119.1 cm)		(61.9 cm)	(51.4 cm)
14' All Raised	60"	60"	31.88"	60"	41.93"	38.38"	52.38"		32.75"	54.75"	29.5"	54.75"	34.75"	36.75"	46.88"		24.38"	20.25"
	(152.4 cm)	(152.4 cm)	(81 cm)	(152.4 cm)	(106.5 cm)	(97.5 cm)	(133 cm)		(83.2 cm)	(139.1 cm)	(74.9 cm)	(139.1 cm)	(88.3 cm)	(93.3 cm)	(119.1 cm)		(61.9 cm)	(51.4 cm)
19' RF & LH Raised	60"	60"	31.88"	60"	41.93"	38.38"	55.88"	56.38"	32.75"	54.75"	29.5"	54.75"	34.75"	36.75"	50.38"	50.38"	24.38"	20.25"
	(152.4 cm)	(152.4 cm)	(81 cm)	(152.4 cm)	(106.5 cm)	(97.5 cm)	(141.9 cm)	(143.2 cm)	(83.2 cm)	(139.1 cm)	(74.9 cm)	(139.1 cm)	(88.3 cm)	(93.3 cm)	(127.9 cm)	(127.9 cm)	(61.9 cm)	(51.4 cm)
19' All Raised	60"	60"	31.88"	60"	41.93"	38.38"	55.88"	56.38"	32.75"	54.75"	29.5"	54.75"	34.75"	36.75"	50.38"	50.38"	24.38"	20.25"
	(152.4 cm)	(152.4 cm)	(81 cm)	(152.4 cm)	(106.5 cm)	(97.5 cm)	(141.9 cm)	(143.2 cm)	(83.2 cm)	(139.1 cm)	(74.9 cm)	(139.1 cm)	(88.3 cm)	(93.3 cm)	(127.9 cm)	(127.9 cm)	(61.9 cm)	(51.4 cm)

Top View

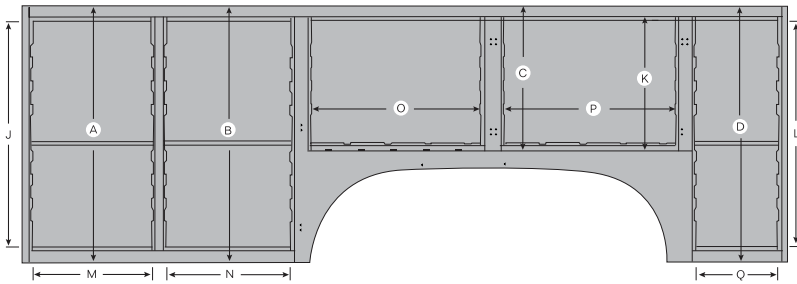


Rear View



Load Bed Height
 24" (61 cm) with standard height compartments
 32" (81.3 cm) with raised compartments

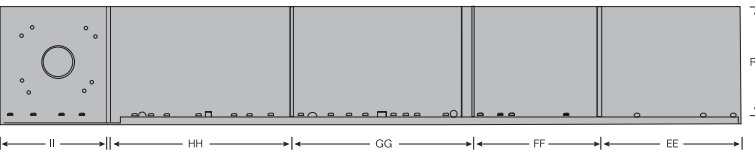
Side View



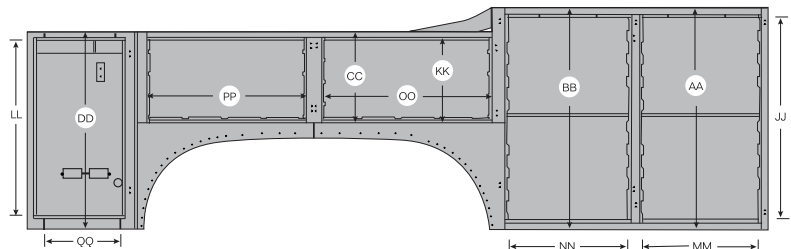
Right Hand Sidepack

Base Body	Compartment Dimensions								Door Opening Dimensions								Usable Depth	
	AA	BB	CC	DD	EE	FF	GG	HH	II	JJ	KK	LL	MM	NN	OO	PP		QQ
14' RF	60"	60"	23.88"	52"	41.93"	38.38"	52.38"		32.75"	54.75"	21.5"	46.81"	34.75"	36.75"	46.88"		25.88"	20.25"
Raised	(152.4 cm)	(152.4 cm)	(60.7 cm)	(132.1 cm)	(106.5 cm)	(97.5 cm)	(133 cm)		(83.2 cm)	(139.1 cm)	(54.6 cm)	(118.6 cm)	(88.3 cm)	(93.3 cm)	(119.1 cm)		(65.7 cm)	(51.4 cm)
14' RF & LF Raised	60"	60"	23.88"	52"	41.93"	38.38"	52.38"		32.75"	54.75"	21.5"	46.81"	34.75"	36.75"	46.88"		25.88"	20.25"
	(152.4 cm)	(152.4 cm)	(60.7 cm)	(132.1 cm)	(106.5 cm)	(97.5 cm)	(133 cm)		(83.2 cm)	(139.1 cm)	(54.6 cm)	(118.6 cm)	(88.3 cm)	(93.3 cm)	(119.1 cm)		(65.7 cm)	(51.4 cm)
14' RF & LH Raised	60"	60"	23.88"	52"	41.93"	38.38"	52.38"		32.75"	54.75"	21.5"	46.81"	34.75"	36.75"	46.88"		25.88"	20.25"
	(152.4 cm)	(152.4 cm)	(60.7 cm)	(132.1 cm)	(106.5 cm)	(97.5 cm)	(133 cm)		(83.2 cm)	(139.1 cm)	(54.6 cm)	(118.6 cm)	(88.3 cm)	(93.3 cm)	(119.1 cm)		(65.7 cm)	(51.4 cm)
14' All Raised	60"	60"	31.88"	60"	41.93"	38.38"	52.38"		32.75"	54.75"	29.5"	46.81"	34.75"	36.75"	46.88"		25.88"	20.25"
	(152.4 cm)	(152.4 cm)	(81 cm)	(152.4 cm)	(106.5 cm)	(97.5 cm)	(133 cm)		(83.2 cm)	(139.1 cm)	(74.9 cm)	(118.6 cm)	(88.3 cm)	(93.3 cm)	(119.1 cm)		(65.7 cm)	(51.4 cm)
19' RF & LH Raised	60"	60"	23.88"	52"	41.93"	38.38"	55.88"	56.38"	32.75"	54.75"	29.5"	46.81"	34.75"	36.75"	50.38"	50.38"	25.88"	20.25"
	(152.4 cm)	(152.4 cm)	(60.7 cm)	(132.1 cm)	(106.5 cm)	(97.5 cm)	(141.9 cm)	(143.2 cm)	(83.2 cm)	(139.1 cm)	(74.9 cm)	(118.6 cm)	(88.3 cm)	(93.3 cm)	(127.9 cm)	(127.9 cm)	(65.7 cm)	(51.4 cm)
19' All Raised	60"	60"	31.88"	60"	41.93"	38.38"	55.88"	56.38"	32.75"	54.75"	29.5"	46.81"	34.75"	36.75"	50.38"	50.38"	25.88"	20.25"
	(152.4 cm)	(152.4 cm)	(81 cm)	(152.4 cm)	(106.5 cm)	(97.5 cm)	(141.9 cm)	(143.2 cm)	(83.2 cm)	(139.1 cm)	(74.9 cm)	(118.6 cm)	(88.3 cm)	(93.3 cm)	(127.9 cm)	(127.9 cm)	(65.7 cm)	(51.4 cm)

Top View



Side View



Body Substructure

- Patented inverted A-frame design with torsion plate
- 10-gauge galvanized steel
- Integral crane box
- Front and rear stabilizer housings

Body Materials

- Sidepacks constructed of 10-gauge and 12-gauge galvanized steel
- Deck plate is 1/8" (0.32 cm) steel
- Workbench is constructed of both galvanized and cold-rolled steel

Electrical System

- Multiplex electrical system with programmable logic for increased reliability
- Central power distribution point
- Automotive-style harnesses protected by overbraid
- White wire has circuit function printed every 3" (7.6 cm)

Doors

- Constructed of 14-gauge galvanized steel
- Internal formed eaves and hemmed edges
- 3-point latches with locking rotary T-handle
- Stainless steel hinges with composite washers

Tailgate

- 10" (25.4 cm)
- Single-hand operation
- 90° (1.6 rad) positive stop

Stabilizer Weights

- Right front power out / power down
460 lb (208.7 kg)
- Right and left rear power out / power down
840 lb (381 kg)



Nothing Says Commitment Like The Diamond.SM

IMT has been meeting the needs of our customers for over 50 years and none of it would have been possible without a distributor network that's second to none. IMT distributors offer fast, knowledgeable service and the ability to help customers find the right product for every application. When you're looking for reliable equipment and dependable service, remember IMT.



An Oshkosh Corporation Company

Iowa Mold Tooling Co., Inc.
500 Highway 18 West
Garner, Iowa 50438
800-247-5958 • www.imt.com

IMT reserves the right to make changes in engineering, design, and specifications; add improvements; or discontinue manufacturing at any time without notice or obligation. IMT, IMT logo, and Dominator are registered trademarks or trademarks of Iowa Mold Tooling Co., Inc., Garner, IA, USA. NOTHING SAYS COMMITMENT LIKE THE DIAMOND is a service mark of Iowa Mold Tooling Co., Inc.
© 2011 Iowa Mold Tooling Co., Inc. All Rights Reserved.

09/11